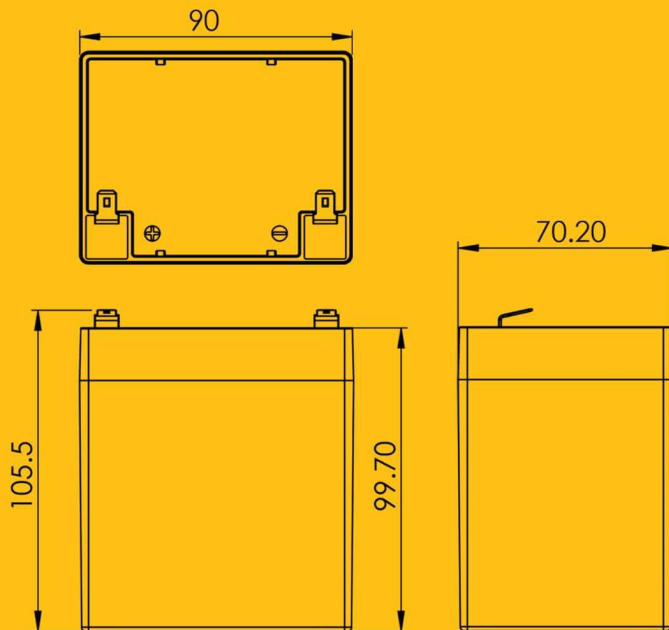


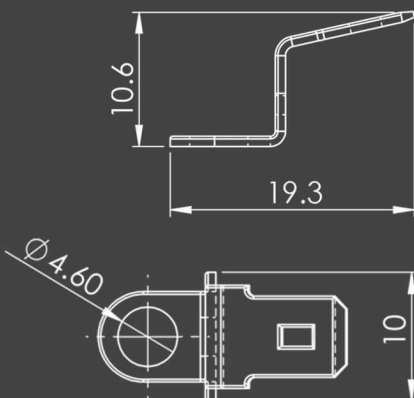
12V-4.5Ah/C20



Dimension (mm)



Terminal (mm)



APPLICATIONS

- UPS
- Electronic Doorbells
- Toy-Cars
- Security and safety systems
- Access control and management systems

ISIRI 4868-21/22 . IEC 60896-21/22

ISIRI 4280-1 . IEC 61056-1

SPECIFICATION

- Absorbent Glass Mat technology for efficient gas recombination
- Maintenance free(no water topping-up required)
- No free acid(Non-spillable battery)
- The battery is designed for high power & high cyclic usage
- Flame retardant ABS (optional) /ABS

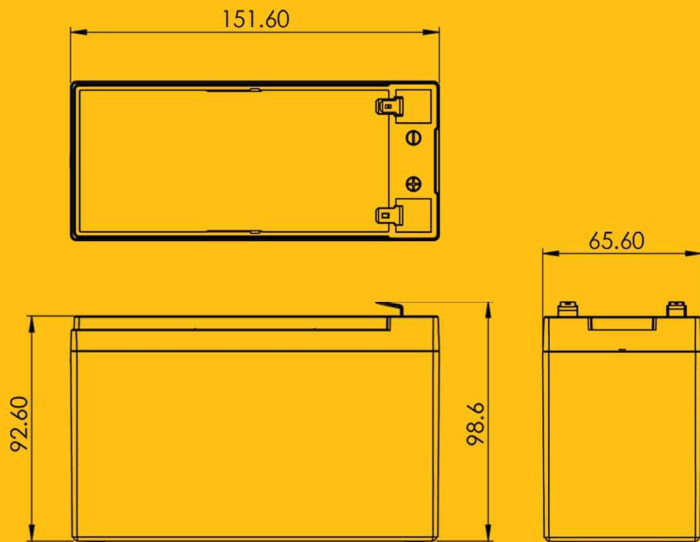
Specification		
Nominal Voltage	12V	
Rate Capacity (20hr rate)	4.5Ah	
Dimension	Total Height (With terminal)	106mm
	Height	100mm
	Length	89.8mm
	Width	70mm
Weight	Approx. 1.75Kg	

Characteristics		
Capacity (25°C)	20hr rate (0.225A)	4.5Ah
	10hr rate (0.418A)	4.2Ah
	5hr rate (0.72A)	3.6Ah
	1hr rate (2.7A)	2.7Ah
	15min rate (7.2A)	1.8Ah
Internal Resistance	Full charged battery	35mΩ
Capacity affected by temperature	40°C	102%
	25°C	100%
	0°C	85%
Self Discharge (25°C)	-15°C	65%
	Capacity after 3 month storage	91%
	Capacity after 6 month storage	81%
Max Discharge Current (25°C)	Capacity after 12 month storage	63%
	75A(5S)	
	Charge (Constant Voltage)	Cyclic use
Voltage 14.4~14.8V / (25°C)		
Standby use		Voltage 13.6~13.8V / (25°C)

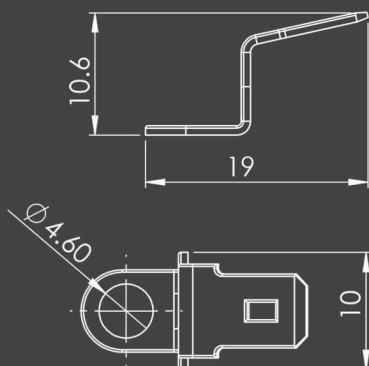
12V-7.5Ah/C20



Dimension (mm)



Terminal (mm)



APPLICATIONS

- UPS
- Laboratory Equipments
- Toy-Cars
- Security and safety systems
- Access control and management systems

ISIRI 4868-21/22 . IEC 60896-21/22

ISIRI 4280-1 . IEC 61056-1

SPECIFICATION

- Absorbent Glass Mat technology for efficient gas recombination
- Maintenance free(no water topping-up required)
- No free acid(Non-spillable battery)
- The battery is designed for high power & high cyclic usage
- Flame retardant ABS (optional) /ABS

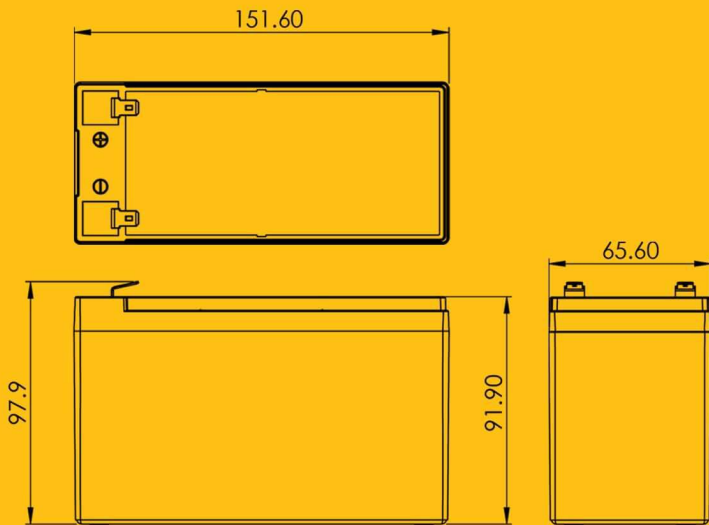
Specification		
Nominal Voltage	12V	
Rate Capacity (20hr rate)	7.5Ah	
Dimension	Total Height (With terminal)	99mm
	Height	92.6mm
	Length	152mm
	Width	65.6mm
Weight	Approx. 2.68Kg	

Characteristics		
Capacity (25°C)	20hr rate (0.375A)	7.5Ah
	10hr rate (0.696A)	7Ah
	5hr rate (1.2A)	6Ah
	1hr rate (4.5A)	4.5Ah
	15min rate (12A)	3Ah
Internal Resistance	Full charged battery	22mΩ
Capacity affected by temperature	40°C	102%
	25°C	100%
	0°C	85%
	-15°C	65%
Self Discharge (25°C)	Capacity after 3 month storage	91%
	Capacity after 6 month storage	81%
	Capacity after 12 month storage	63%
Max Discharge Current (25°C)	110A(5S)	
Charge (Constant Voltage)	Cyclic use	Initial Charging Current less than 1.875A (0.25C20)
		Voltage 14.4~14.8V / (25°C)
	Standby use	Voltage 13.6~13.8V / (25°C)

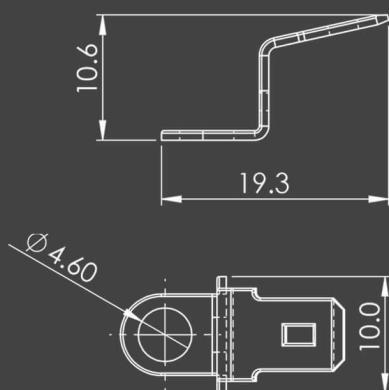
12V-9Ah/C20



Dimension (mm)



Terminal (mm)



APPLICATIONS

- UPS
- Laboratory Equipments
- Medical Equipments
- Toy-Cars
- Security and safety systems
- Access control and management systems

ISIRI 4868-21/22 . IEC 60896-21/22

ISIRI 4280-1 . IEC 61056-1

SPECIFICATION

- Absorbent Glass Mat technology for efficient gas recombination
- Maintenance free(no water topping-up required)
- No free acid(Non-spillable battery)
- The battery is designed for high power & high cyclic usage
- Flame retardant ABS (optional) /ABS

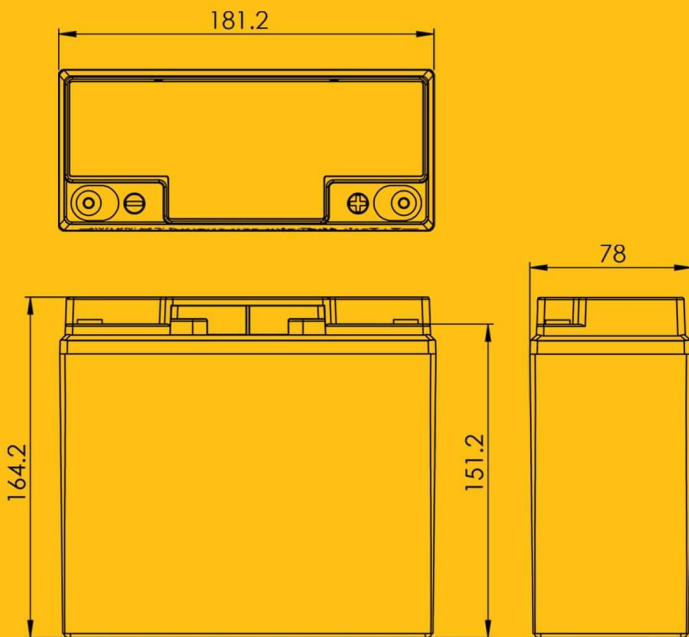
Specification		
Nominal Voltage	12V	
Rate Capacity (20hr rate)	9Ah	
Dimension	Total Height (With terminal)	99mm
	Height	92.6mm
	Length	152mm
	Width	65.6mm
Weight	Approx. 2.9Kg	

Characteristics		
Capacity (25°C)	20hr rate (0.45A)	9Ah
	10hr rate (0.836A)	8.4Ah
	5hr rate (1.44A)	7.2Ah
	1hr rate (5.4A)	5.4Ah
	15min rate (14.4A)	3.6Ah
Internal Resistance	Full charged battery	
	20mΩ	
	40°C	102%
	25°C	100%
Capacity affected by temperature	0°C	85%
	-15°C	65%
	Self Discharge (25°C)	
Self Discharge (25°C)	Capacity after 3 month storage	91%
	Capacity after 6 month storage	81%
	Capacity after 12 month storage	63%
Max Discharge Current (25°C)	140A(5S)	
Charge (Constant Voltage)	Cyclic use	Initial Charging Current less than 2.25A (0.25C20)
		Voltage 14.4~14.8V / (25°C)
	Standby use	Voltage 13.6~13.8V / (25°C)

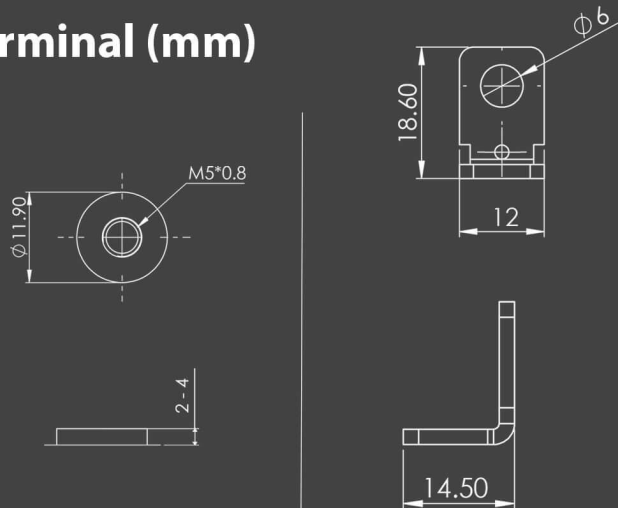
12V-18Ah/C20



Dimension (mm)



Terminal (mm)



KOREAN TECHNOLOGY
UNIKOR
 VALVE REGULATED LEAD-ACID BATTERY
 12V-18Ah/C20
NON-SPILLABLE AGM TECHNOLOGY
 Constant voltage Charge:
 Standby use : 13.6V - 13.8V (25°C)
 Cyclic use : 14.4V - 14.8V (25°C)
 Initial current : less than 4.5A
 Caution:
 Avoid short-circuiting battery terminals
 Avoid charging under airtight conditions
 Recharge after use
 NIRUGOSTARAN IND. GROUP
 Made in Iran

APPLICATIONS

- UPS
- Emergency Lights
- Lawn Mowers
- Video Camcorders (VCR)

ISIRI 4868-21/22 . IEC 60896-21/22

ISIRI 4280-1 . IEC 61056-1

SPECIFICATION

- Absorbent Glass Mat technology for efficient gas recombination
- Maintenance free(no water topping-up required)
- No free acid(Non-spillable battery)
- The battery is designed for high power & high cyclic usage
- Flame retardant ABS (optional) /ABS

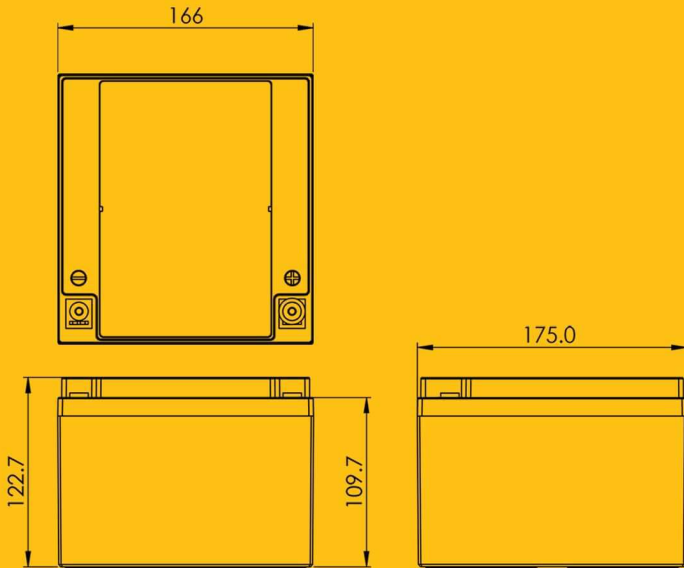
Specification		
Nominal Voltage	12V	
Rate Capacity (20hr rate)	18Ah	
Dimension	Total Height (With terminal)	164mm
	Height	164.2mm
	Length	181.1mm
	Width	78mm
Weight	Approx. 6Kg	

Characteristics		
Capacity (25°C)	20hr rate (0.9A)	18Ah
	10hr rate (1.671A)	16.7Ah
	5hr rate (2.88A)	14.4Ah
	1hr rate (10.8A)	10.8Ah
	15min rate (28.8A)	7.2Ah
Internal Resistance	Full charged battery	18mΩ
Capacity affected by temperature	40°C	102%
	25°C	100%
	0°C	85%
	-15°C	65%
Self Discharge (25°C)	Capacity after 3 month storage	91%
	Capacity after 6 month storage	81%
	Capacity after 12 month storage	63%
Max Discharge Current (25°C)	180A(5S)	
Charge (Constant Voltage)	Cyclic use	Initial Charging Current less than 4.5A (0.25C20)
		Voltage 14.4~14.8V / (25°C)
	Standby use	Voltage 13.6~13.8V / (25°C)

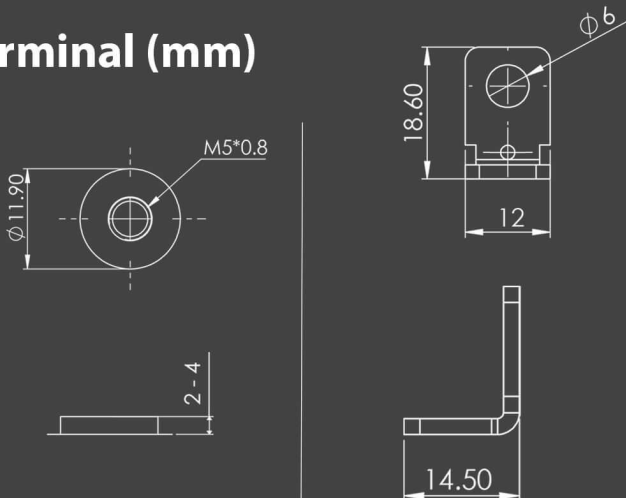
12V-28Ah/C20



Dimension (mm)



Terminal (mm)



APPLICATIONS

- UPS
- Wheelchairs
- Lawn Mowers
- Electrical Medical Equipments

ISIRI 4868-21/22 . IEC 60896-21/22

ISIRI 4280-1 . IEC 61056-1

SPECIFICATION

- Absorbent Glass Mat technology for efficient gas recombination
- Maintenance free(no water topping-up required)
- No free acid(Non-spillable battery)
- The battery is designed for high power & high cyclic usage
- Flame retardant ABS (optional) /ABS

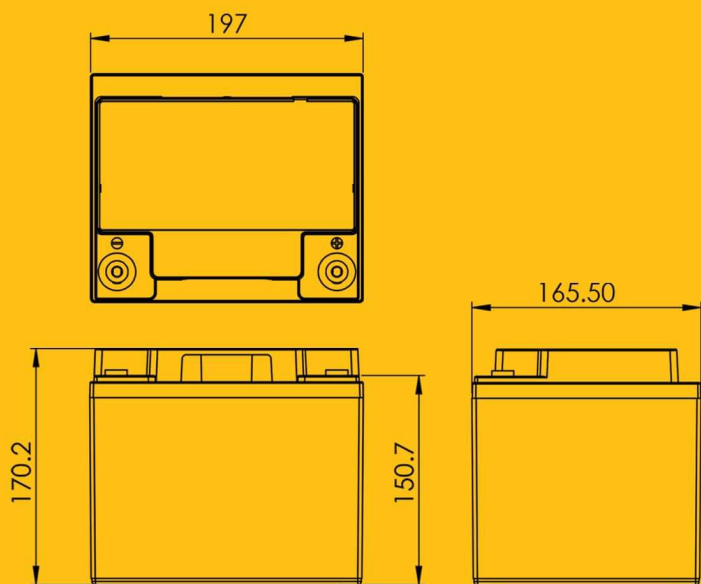
Specification		
Nominal Voltage	12V	
Rate Capacity (20hr rate)	28Ah	
Dimension	Total Height (With terminal)	122.6mm
	Height	122.6mm
	Length	175mm
	Width	166mm
Weight	Approx. 9.5Kg	

Characteristics		
Capacity (25°C)	20hr rate (1.4A)	28Ah
	10hr rate (2.6A)	26Ah
	5hr rate (4.48A)	22.4Ah
	1hr rate (16.8A)	16.8Ah
	15min rate (44.8A)	11.2Ah
Internal Resistance	Full charged battery	9mΩ
Capacity affected by temperature	40°C	102%
	25°C	100%
	0°C	85%
Self Discharge (25°C)	-15°C	65%
	Capacity after 3 month storage	91%
	Capacity after 6 month storage	81%
Max Discharge Current (25°C)	Capacity after 12 month storage	63%
	280A(5S)	
	Charge (Constant Voltage)	Cyclic use
Voltage 14.4~14.8V / (25°C)		
Standby use		Voltage 13.6~13.8V / (25°C)

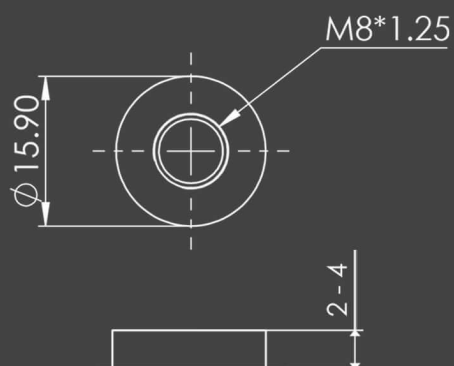
12V-42Ah/C20



Dimension (mm)



Terminal (mm)



APPLICATIONS

- UPS
- Wheelchairs
- Lawn Mowers
- Electrical Medical Equipments
- Electrical small Vans

ISIRI 4868-21/22 . IEC 60896-21/22

ISIRI 4280-1 . IEC 61056-1

SPECIFICATION

- Absorbent Glass Mat technology for efficient gas recombination
- Maintenance free(no water topping-up required)
- No free acid(Non-spillable battery)
- The battery is designed for high power & high cyclic usage
- Flame retardant ABS (optional) /ABS

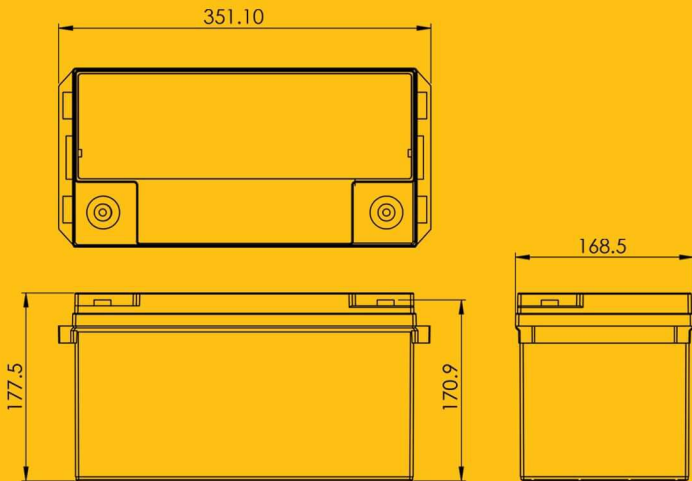
Specification		
Nominal Voltage	12V	
Rate Capacity (20hr rate)	42Ah	
Dimension	Total Height (With terminal)	170.2mm
	Height	170.2mm
	Length	197mm
	Width	165mm
Weight	Approx. 14.7kg	

Characteristics		
Capacity (25°C)	20hr rate (2.1A)	42Ah
	10hr rate (3.9A)	39Ah
	5hr rate (6.72A)	33.6Ah
	1hr rate (25.2A)	25.2Ah
	15min rate (67.2A)	16.8Ah
Internal Resistance	Full charged battery	10mΩ
Capacity affected by temperature	40°C	102%
	25°C	100%
	0°C	85%
	-15°C	65%
Self Discharge (25°C)	Capacity after 3 month storage	91%
	Capacity after 6 month storage	81%
	Capacity after 12 month storage	63%
Max Discharge Current (25°C)	420A(5S)	
Charge (Constant Voltage)	Cyclic use	Initial Charging Current less than 10.5A (0.25C20)
		Voltage 14.4~14.8V / (25°C)
	Standby use	Voltage 13.6~13.8V / (25°C)

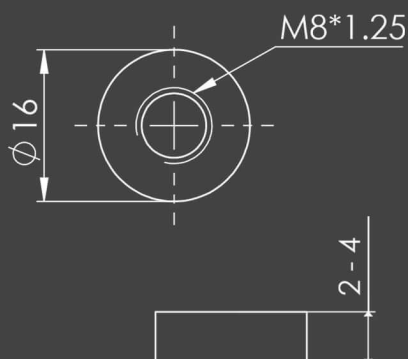
12V-65Ah/C20



Dimension (mm)



Terminal (mm)



APPLICATIONS

- UPS
- Telecom systems
- Electric Vans

ISIRI 4868-21/22 . IEC 60896-21/22

ISIRI 4280-1 . IEC 61056-1

SPECIFICATION

- Absorbent Glass Mat technology for efficient gas recombination
- Maintenance free(no water topping-up required)
- No free acid(Non-spillable battery)
- The battery is designed for high power & high cyclic usage
- Flame retardant ABS (optional) /ABS

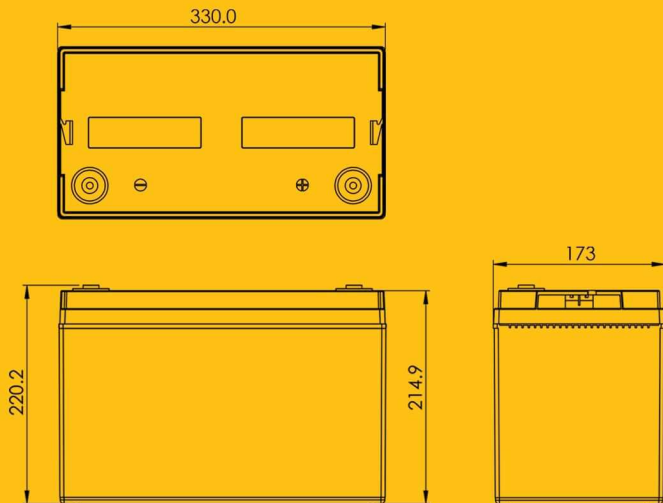
Specification		
Nominal Voltage	12V	
Rate Capacity (20hr rate)	65Ah	
Dimension	Total Height (With terminal)	178mm
	Height	178mm
	Length	350.5mm
	Width	168.5mm
Weight	Approx. 24.2Kg	

Characteristics		
Capacity (25°C)	20hr rate (3.25A)	65Ah
	10hr rate (6.036A)	60.4Ah
	5hr rate (10.4A)	52Ah
	1hr rate (39A)	39Ah
	15min rate (104A)	26Ah
Internal Resistance	Full charged battery	5.5mΩ
Capacity affected by temperature	40°C	102%
	25°C	100%
	0°C	85%
Self Discharge (25°C)	Capacity after 3 month storage	91%
	Capacity after 6 month storage	81%
	Capacity after 12 month storage	63%
Max Discharge Current (25°C)	680A(5S)	
Charge (Constant Voltage)	Cyclic use	Initial Charging Current less than 16.25A (0.25C20)
		Voltage 14.4~14.8V / (25°C)
	Standby use	Voltage 13.6~13.8V / (25°C)

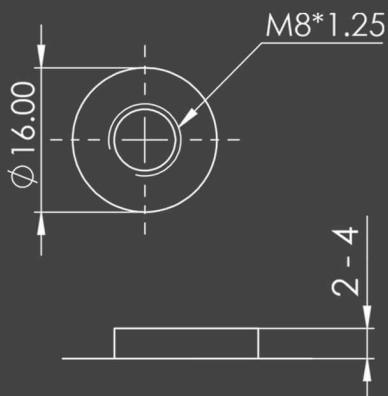
12V-100Ah/C10



Dimension (mm)



Terminal (mm)



APPLICATIONS

- UPS
- Telecom systems
- Electric Vans

ISIRI 4868-21/22 - IEC 60896-21/22

SPECIFICATION

- Absorbent Glass Mat technology for efficient gas recombination
- Maintenance free (no water topping-up required)
- No free acid (Non-spillable battery)
- The battery is designed for high power & high cyclic usage
- Flame retardant ABS (optional) / ABS

Specification		
Nominal Voltage	12V	
Rate Capacity (10hr rate)	100Ah	
Dimension	Total Height (With terminal)	222mm
	Height	216.8mm
	Length	330mm
	Width	173mm
Weight	Approx. 35.6Kg	

Characteristics		
Capacity (25°C)	20hr rate (5.374A)	107.5Ah
	10hr rate (10.026A)	100.3Ah
	5hr rate (17.29A)	86.4Ah
	1hr rate (64.74A)	64.7Ah
	15min rate (171.29A)	42.8Ah
Internal Resistance	Full charged battery	
	40°C	3.5mΩ
	25°C	102%
	0°C	100%
Capacity affected by temperature	0°C	85%
	-15°C	65%
	Self Discharge (25°C)	
Self Discharge (25°C)	Capacity after 3 month storage	91%
	Capacity after 6 month storage	81%
	Capacity after 12 month storage	63%
Max Discharge Current (25°C)	1030A(5S)	
Charge (Constant Voltage)	Cyclic use	Initial Charging Current less than 25A (0.25C20)
		Voltage 14.4~14.8V / (25°C)
	Standby use	Voltage 13.6~13.8V / (25°C)