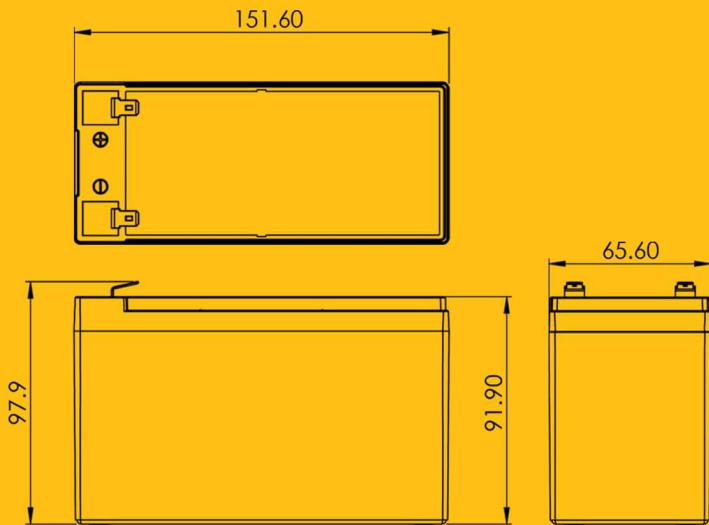


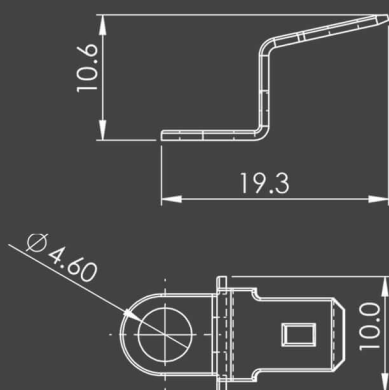
12V-9Ah/C20



Dimension (mm)



Terminal (mm)



APPLICATIONS

- UPS
- Laboratory Equipments
- Medical Equipments
- Toy-Cars
- Security and safety systems
- Access control and management systems

ISIRI 4868-21/22 . IEC 60896-21/22

ISIRI 4280-1 . IEC 61056-1

SPECIFICATION

- Absorbent Glass Mat technology for efficient gas recombination
- Maintenance free(no water topping-up required)
- No free acid(Non-spillable battery)
- The battery is designed for high power & high cyclic usage
- Flame retardant ABS (optional) /ABS

Specification		
Nominal Voltage	12V	
Rate Capacity (20hr rate)	9Ah	
Dimension	Total Height (With terminal)	99mm
	Height	92.6mm
	Length	152mm
	Width	65.6mm
Weight	Approx. 2.9Kg	

Characteristics		
Capacity (25°C)	20hr rate (0.45A)	9Ah
	10hr rate (0.836A)	8.4Ah
	5hr rate (1.44A)	7.2Ah
	1hr rate (5.4A)	5.4Ah
	15min rate (14.4A)	3.6Ah
Internal Resistance	Full charged battery	
	20mΩ	
	40°C	102%
	25°C	100%
Capacity affected by temperature	0°C	85%
	-15°C	65%
	Self Discharge (25°C)	
Capacity after 3 month storage		91%
Capacity after 6 month storage		81%
Capacity after 12 month storage		63%
Max Discharge Current (25°C)	140A(5S)	
Charge (Constant Voltage)	Cyclic use	Initial Charging Current less than 2.25A (0.25C20)
		Voltage 14.4~14.8V / (25°C)
	Standby use	Voltage 13.6~13.8V / (25°C)