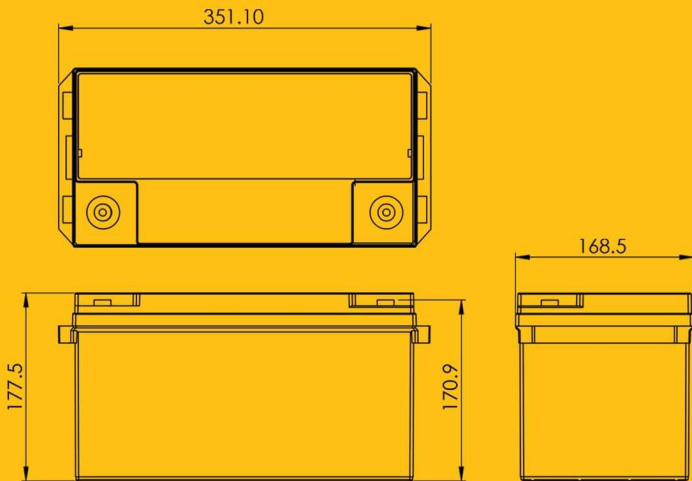


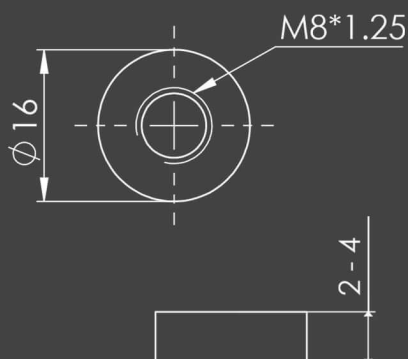
# 12V-65Ah/C20



## Dimension (mm)



## Terminal (mm)



### APPLICATIONS

- UPS
- Telecom systems
- Electric Vans

ISIRI 4868-21/22 . IEC 60896-21/22

ISIRI 4280-1 . IEC 61056-1

### SPECIFICATION

- Absorbent Glass Mat technology for efficient gas recombination
- Maintenance free(no water topping-up required)
- No free acid(Non-spillable battery)
- The battery is designed for high power & high cyclic usage
- Flame retardant ABS (optional) /ABS

| Specification             |                              |         |
|---------------------------|------------------------------|---------|
| Nominal Voltage           | 12V                          |         |
| Rate Capacity (20hr rate) | 65Ah                         |         |
| Dimension                 | Total Height (With terminal) | 178mm   |
|                           | Height                       | 178mm   |
|                           | Length                       | 350.5mm |
|                           | Width                        | 168.5mm |
| Weight                    | Approx. 24.2Kg               |         |

| Characteristics                  |                                 |   |
|----------------------------------|---------------------------------|---|
| Capacity (25°C)                  | 20hr rate (3.25A)               | 65Ah  |
|                                  | 10hr rate (6.036A)              | 60.4Ah  |
|                                  | 5hr rate (10.4A)                | 52Ah  |
|                                  | 1hr rate (39A)                  | 39Ah  |
|                                  | 15min rate (104A)               | 26Ah  |
| Internal Resistance              | Full charged battery            | 5.5mΩ   |
| Capacity affected by temperature | 40°C                            | 102%  |
|                                  | 25°C                            | 100%  |
|                                  | 0°C                             | 85%   |
| Self Discharge (25°C)            | Capacity after 3 month storage  | 91%   |
|                                  | Capacity after 6 month storage  | 81%   |
|                                  | Capacity after 12 month storage | 63%   |
| Max Discharge Current (25°C)     | 680A(5S)                        |   |
| Charge (Constant Voltage)        | Cyclic use                      | Initial Charging Current less than 16.25A (0.25C20) |
|                                  |                                 | Voltage 14.4~14.8V / (25°C)                         |
|                                  | Standby use                     | Voltage 13.6~13.8V / (25°C)                         |