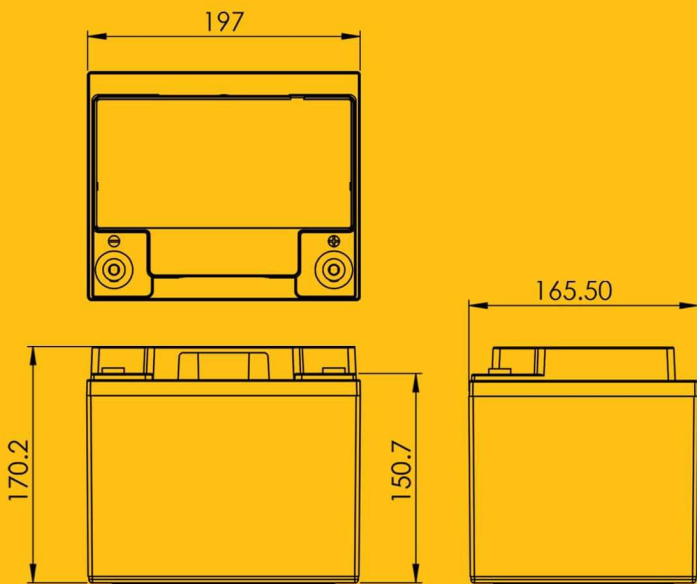


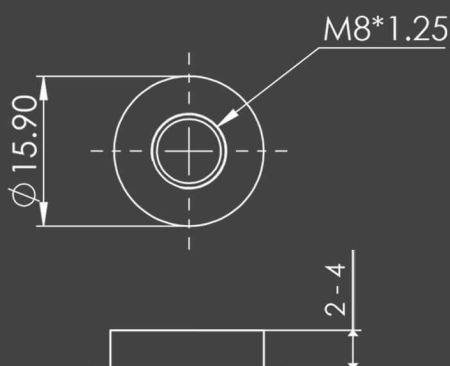
# 12V-42Ah/C20



## Dimension (mm)



## Terminal (mm)



### APPLICATIONS

- UPS
- Wheelchairs
- Lawn Mowers
- Electrical Medical Equipments
- Electrical small Vans

ISIRI 4868-21/22 . IEC 60896-21/22

ISIRI 4280-1 . IEC 61056-1

### SPECIFICATION

- Absorbent Glass Mat technology for efficient gas recombination
- Maintenance free(no water topping-up required)
- No free acid(Non-spillable battery)
- The battery is designed for high power & high cyclic usage
- Flame retardant ABS (optional) /ABS

Specification		
Nominal Voltage	12V	
Rate Capacity (20hr rate)	42Ah	
Dimension	Total Height (With terminal)	170.2mm
	Height	170.2mm
	Length	197mm
	Width	165mm
Weight	Approx. 14.7Kg	

Characteristics		
Capacity (25°C)	20hr rate (2.1A)	42Ah
	10hr rate (3.9A)	39Ah
	5hr rate (6.72A)	33.6Ah
	1hr rate (25.2A)	25.2Ah
	15min rate (67.2A)	16.8Ah
Internal Resistance	Full charged battery	10mΩ
Capacity affected by temperature	40°C	102%
	25°C	100%
	0°C	85%
	-15°C	65%
Self Discharge (25°C)	Capacity after 3 month storage	91%
	Capacity after 6 month storage	81%
	Capacity after 12 month storage	63%
Max Discharge Current (25°C)	420A(5S)	
Charge (Constant Voltage)	Cyclic use	Initial Charging Current less than 10.5A (0.25C20)
		Voltage 14.4~14.8V / (25°C)
	Standby use	Voltage 13.6~13.8V / (25°C)