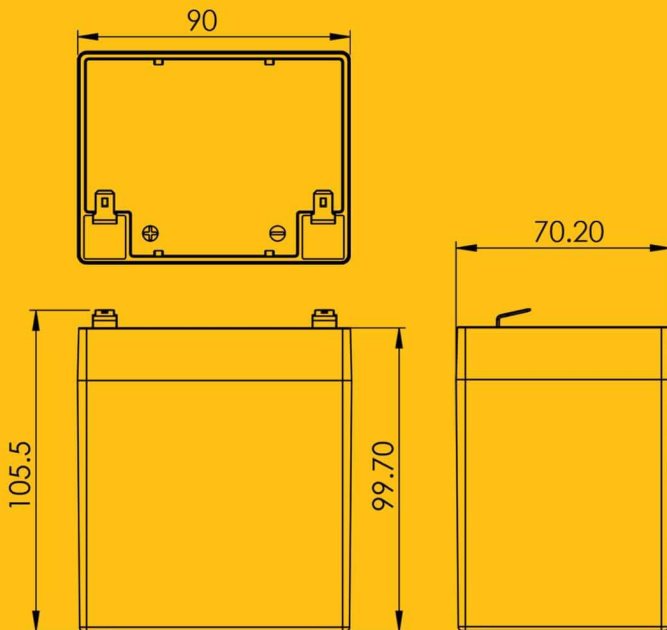


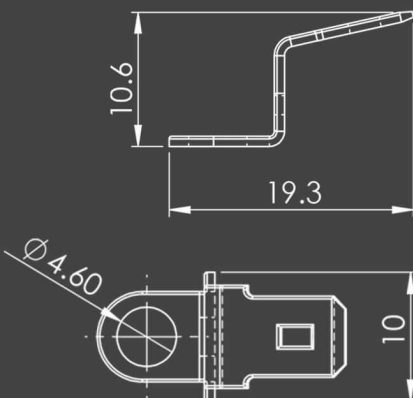
12V-4.5Ah/C20



Dimension (mm)



Terminal (mm)



APPLICATIONS

- UPS
- Electronic Doorbells
- Toy-Cars
- Security and safety systems
- Access control and management systems

ISIRI 4868-21/22 . IEC 60896-21/22

ISIRI 4280-1 . IEC 61056-1

SPECIFICATION

- Absorbent Glass Mat technology for efficient gas recombination
- Maintenance free(no water topping-up required)
- No free acid(Non-spillable battery)
- The battery is designed for high power & high cyclic usage
- Flame retardant ABS (optional) /ABS

Specification		
Nominal Voltage	12V	
Rate Capacity (20hr rate)	4.5Ah	
Dimension	Total Height (With terminal)	106mm
	Height	100mm
	Length	89.8mm
	Width	70mm
Weight	Approx. 1.75Kg	

Characteristics		
Capacity (25°C)	20hr rate (0.225A)	4.5Ah
	10hr rate (0.418A)	4.2Ah
	5hr rate (0.72A)	3.6Ah
	1hr rate (2.7A)	2.7Ah
	15min rate (7.2A)	1.8Ah
Internal Resistance	Full charged battery	35mΩ
Capacity affected by temperature	40°C	102%
	25°C	100%
	0°C	85%
Self Discharge (25°C)	-15°C	65%
	Capacity after 3 month storage	91%
	Capacity after 6 month storage	81%
Max Discharge Current (25°C)	Capacity after 12 month storage	63%
	75A(5S)	
	Charge (Constant Voltage)	Cyclic use
Voltage 14.4~14.8V / (25°C)		
Standby use		Voltage 13.6~13.8V / (25°C)