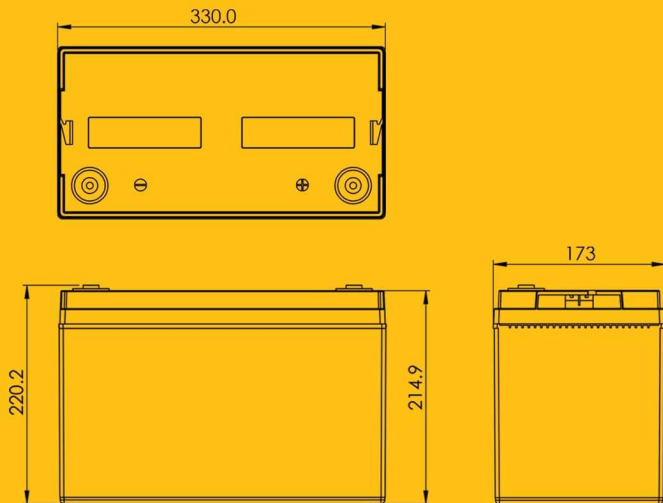


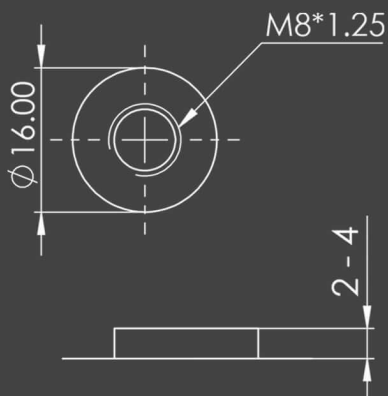
12V-100Ah/C10



Dimension (mm)



Terminal (mm)



APPLICATIONS

- UPS
- Telecom systems
- Electric Vans

ISIRI 4868-21/22 - IEC 60896-21/22

SPECIFICATION

- Absorbent Glass Mat technology for efficient gas recombination
- Maintenance free (no water topping-up required)
- No free acid (Non-spillable battery)
- The battery is designed for high power & high cyclic usage
- Flame retardant ABS (optional) / ABS

| Specification | | |
|---------------------------|------------------------------|---------|
| Nominal Voltage | 12V | |
| Rate Capacity (10hr rate) | 100Ah | |
| Dimension | Total Height (With terminal) | 222mm |
| | Height | 216.8mm |
| | Length | 330mm |
| | Width | 173mm |
| Weight | Approx. 35.6Kg | |

| Characteristics | | |
|----------------------------------|---------------------------------|--|
| Capacity (25°C) | 20hr rate (5.374A) | 107.5Ah |
| | 10hr rate (10.026A) | 100.3Ah |
| | 5hr rate (17.29A) | 86.4Ah |
| | 1hr rate (64.74A) | 64.7Ah |
| | 15min rate (171.29A) | 42.8Ah |
| Internal Resistance | Full charged battery | |
| | 40°C | 3.5mΩ |
| | 25°C | 102% |
| | 0°C | 100% |
| Capacity affected by temperature | 0°C | 85% |
| | -15°C | 65% |
| | Self Discharge (25°C) | |
| Self Discharge (25°C) | Capacity after 3 month storage | 91% |
| | Capacity after 6 month storage | 81% |
| | Capacity after 12 month storage | 63% |
| Max Discharge Current (25°C) | 1030A(5S) | |
| Charge (Constant Voltage) | Cyclic use | Initial Charging Current less than 25A (0.25C20) |
| | | Voltage 14.4~14.8V / (25°C) |
| | Standby use | Voltage 13.6~13.8V / (25°C) |